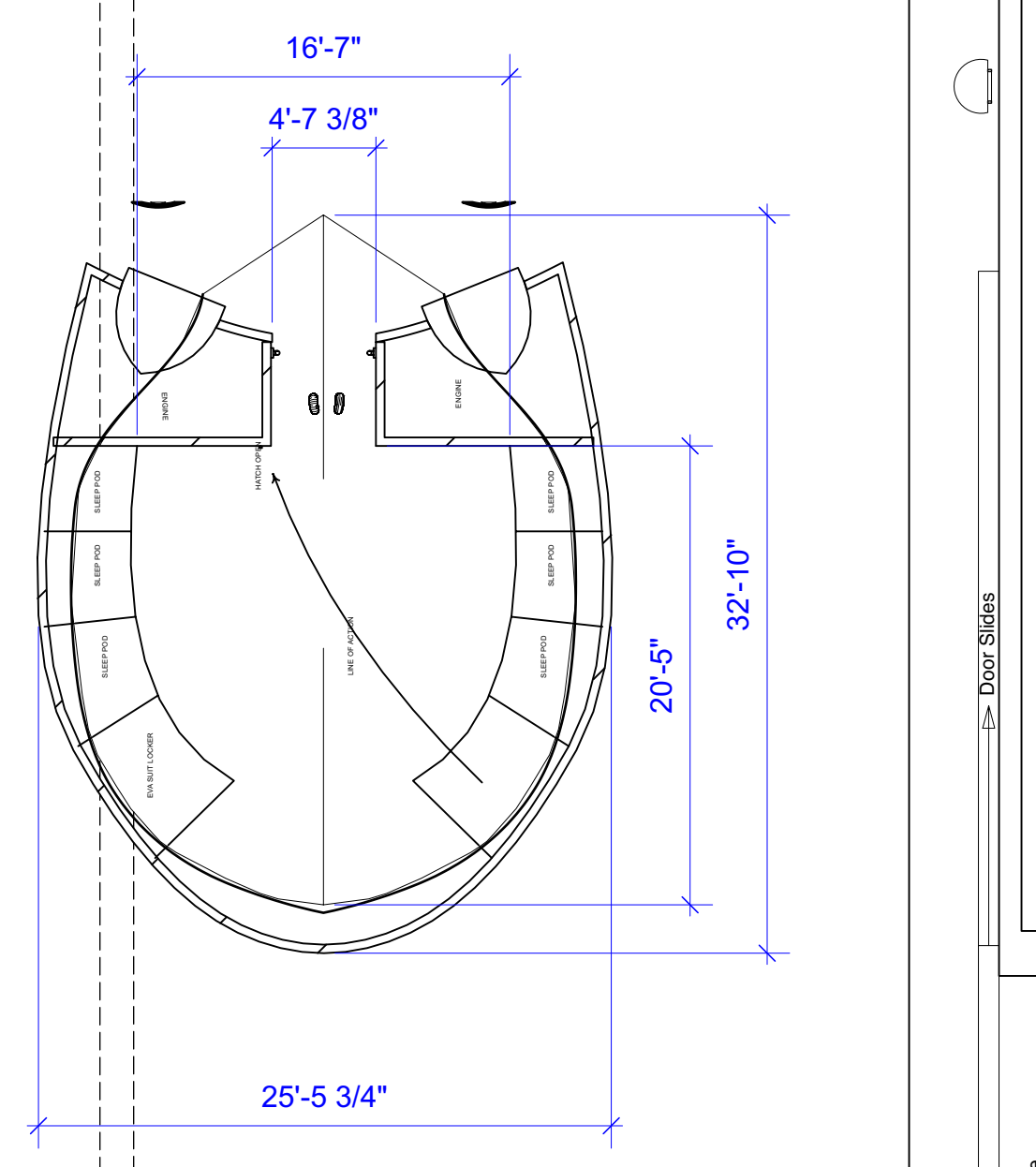
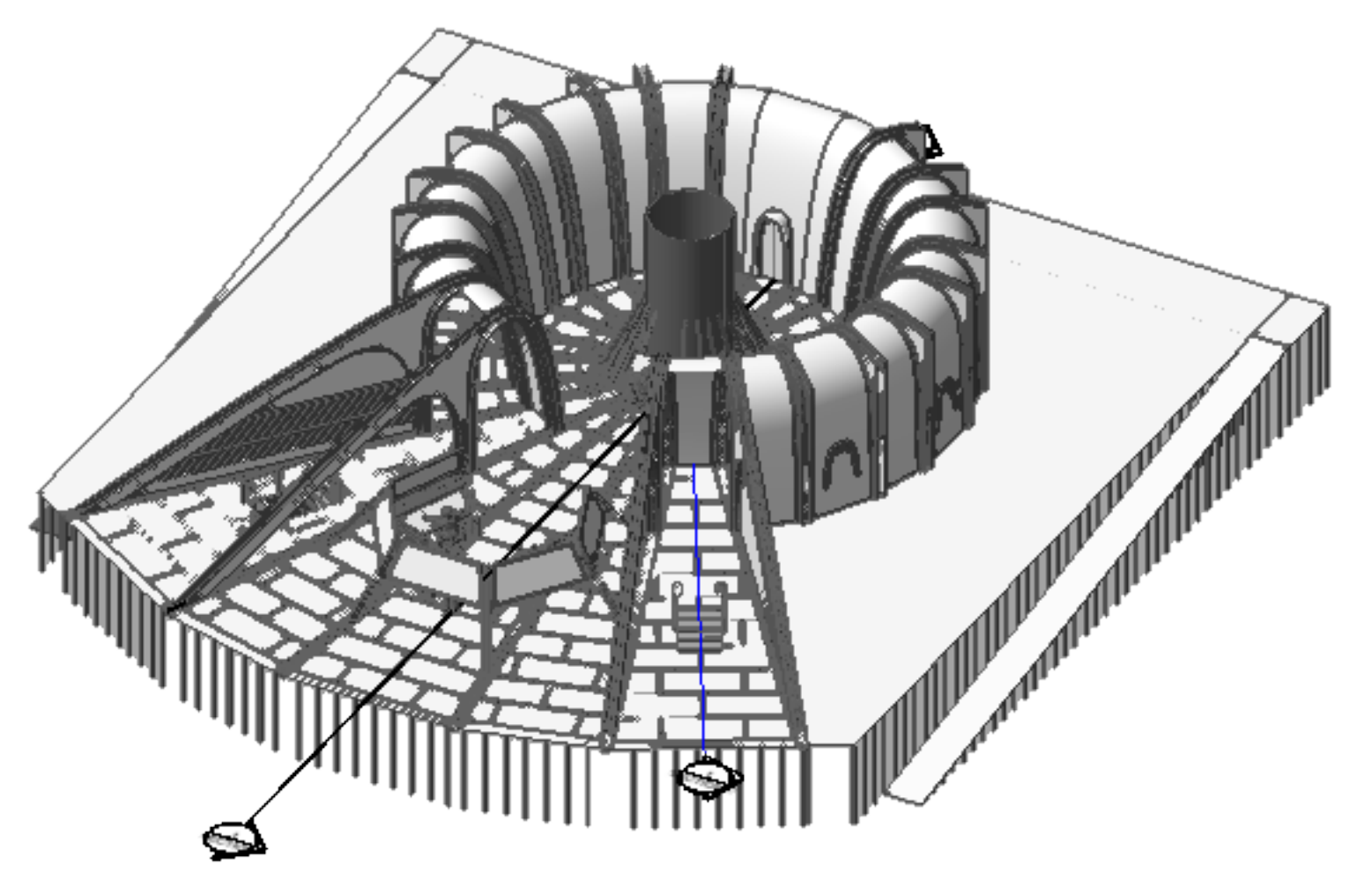


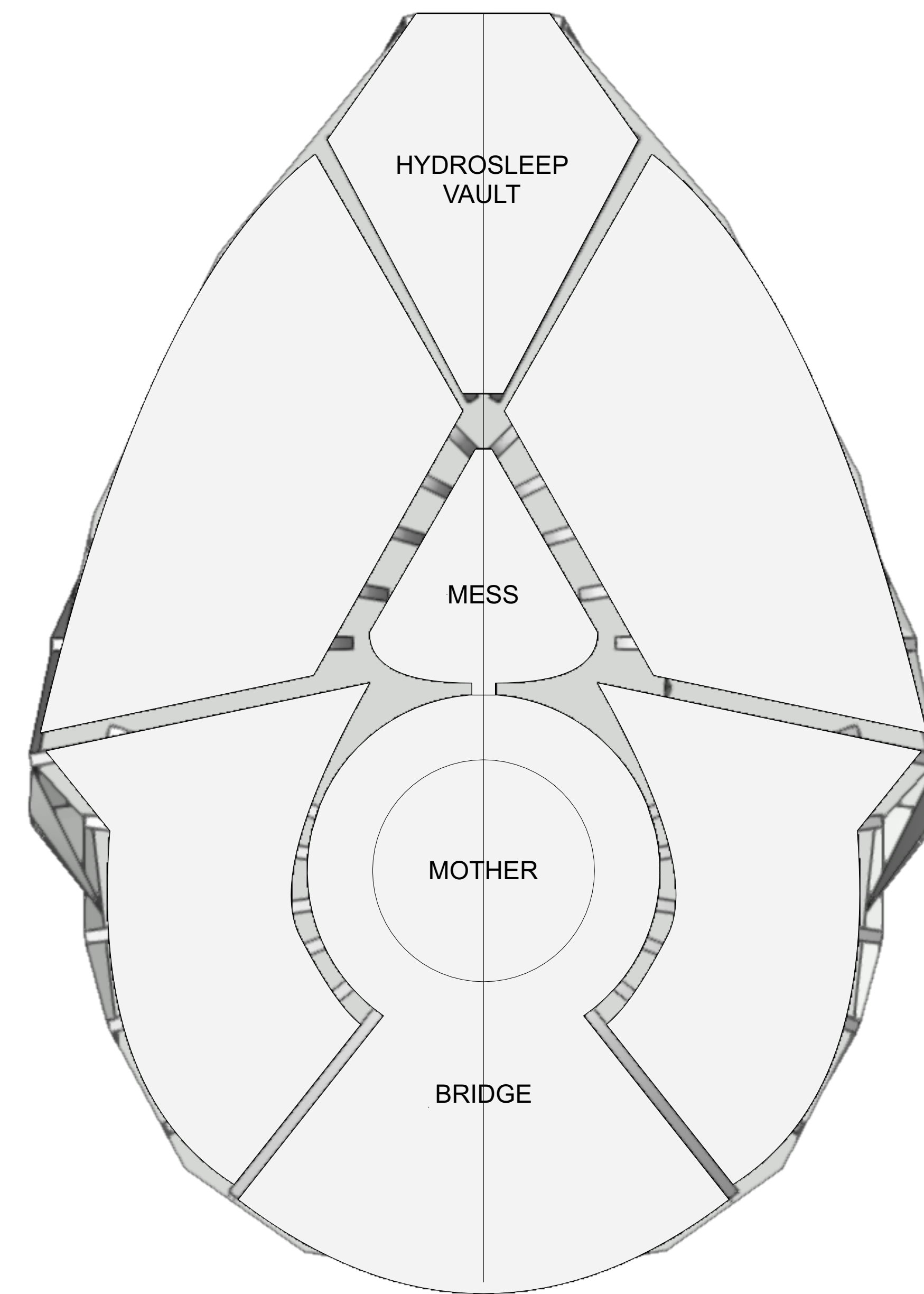
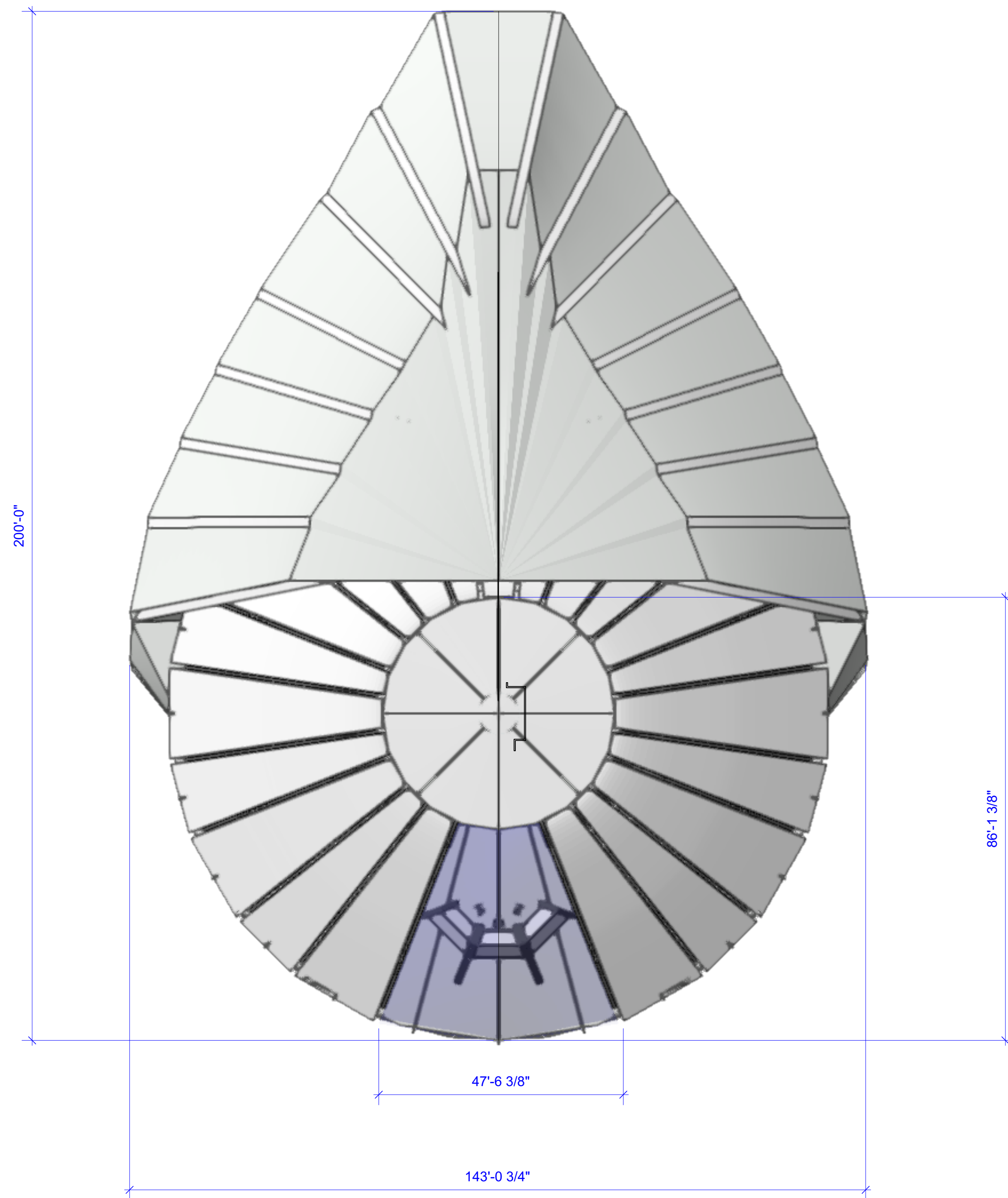
1 GROUNDPLAN
Scale: 1/8" = 1'-0"



2 Ortho
Scale: 1/16" = 1'-0"



ALIEN <small>PRODUCTION DESIGNER</small> NICO HEN	SET NAME: BRIDGE	SET #: AM-	RELEASED: ---
	DRAWING: STUDIO PLAN	SCALE: 1/8" = 1'-0"	SHEET NO: 01
	LOCATION: STEINER STAGE 3	SHOOT DATE: 00.00.00	DRAWN BY: NH



1 SHIP DIAGRAM
Scale: 1/16" = 1'-0"

PRELIMINARY - 10/28

ALIEN <small>PRODUCTION DESIGNER</small> NICO HEN	SET NAME: NOSTROMO	SET #: AM-	RELEASED: ---
	DRAWING: FULL DIAGRAM	SCALE: 1/16" = 1'-0"	SHEET NO:
	LOCATION:	SHOOT DATE: 00.00.00	DRAWN BY: NH