

1 GROUND PLAN
01 Scale: 1/2" = 1'-0"

SCALE: 1/2"=1'-0

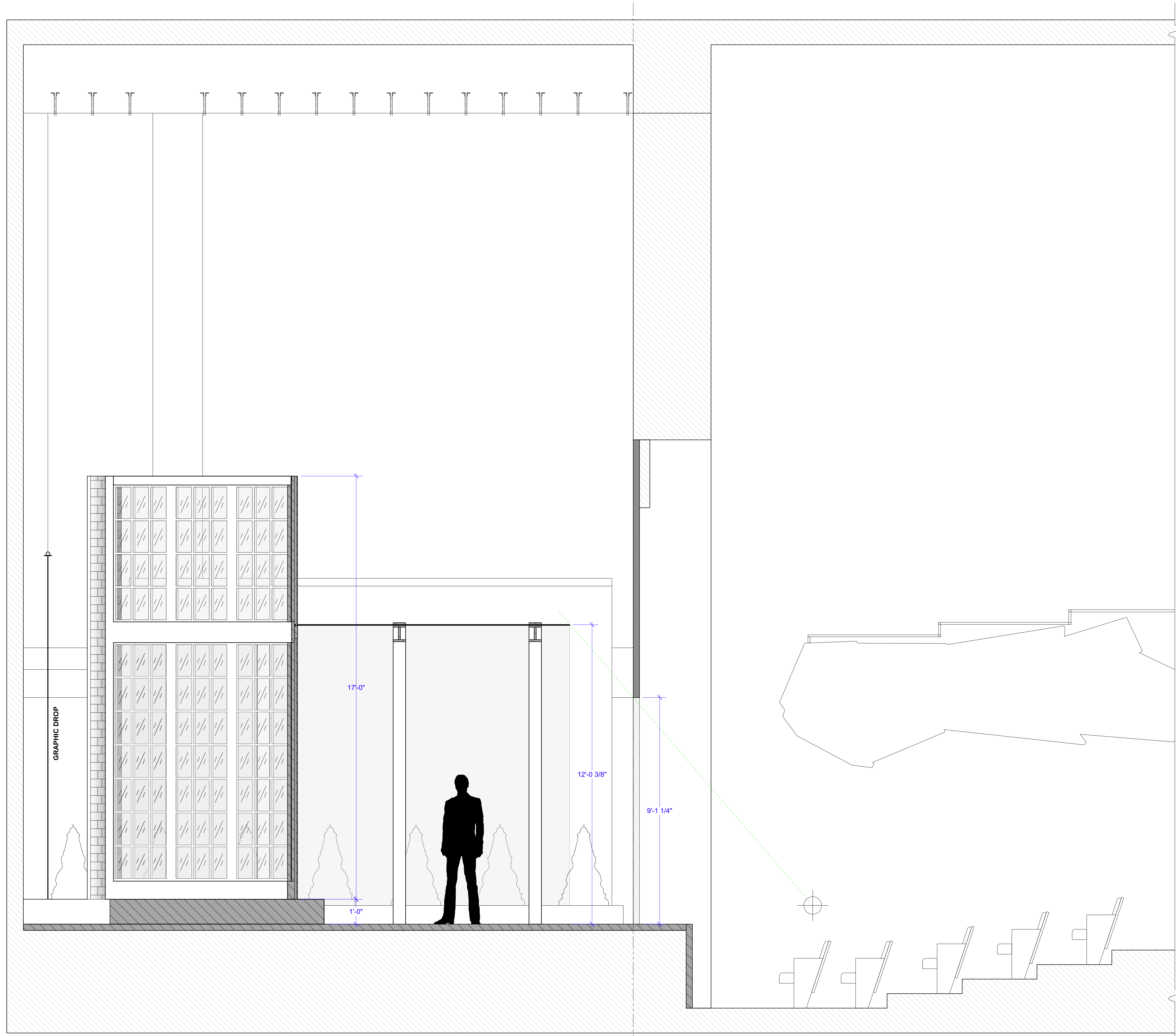
THIS DRAWING REPRESENTS VISUAL CONCEPTS, DESIGN IDEAS AND CONSTRUCTION SUGGESTIONS. THE DESIGNER AND HIS ASSOCIATES ARE ONLY RESPONSIBLE FOR THE VISUAL ASPECTS OF THE PRODUCTION AND ALL SPECIFICATIONS CONTAINED IN THIS DOCUMENT RELATE SOLELY TO THE VISUAL APPEARANCE OF THE LIGHTING DESIGN AND NOT TO THE ELECTRICAL OR STRUCTURAL SOUNDNESS AND/OR SAFETY OF THE DESIGN. THIS DRAWING DOES NOT REPLACE THE KNOWLEDGE AND ADVICE OF A LICENSED STRUCTURAL ENGINEER. THE DESIGNER IS UNQUALIFIED TO DETERMINE THE STRUCTURAL APPROPRIATENESS OF THIS DESIGN AND WILL NOT ASSUME RESPONSIBILITY FOR IMPROPER ENGINEERING, USE OR EXECUTION.

DROWNING
PAPER PROJECT
NYUTISCH SET DESIGN III
DESIGN BY
TERESA L WILLIAMS

VENUE
SIGNATURE THEATER
480 W 42nd St,
New York, NY
10036
ASSIGNMENT DATE
12/11/20

DRAWING TITLE
GROUND PLAN
ISSUE DATE
12/11/20
SCALE
AS NOTED
DRAWN BY
TLW
REVISION DATE

01
OF 06



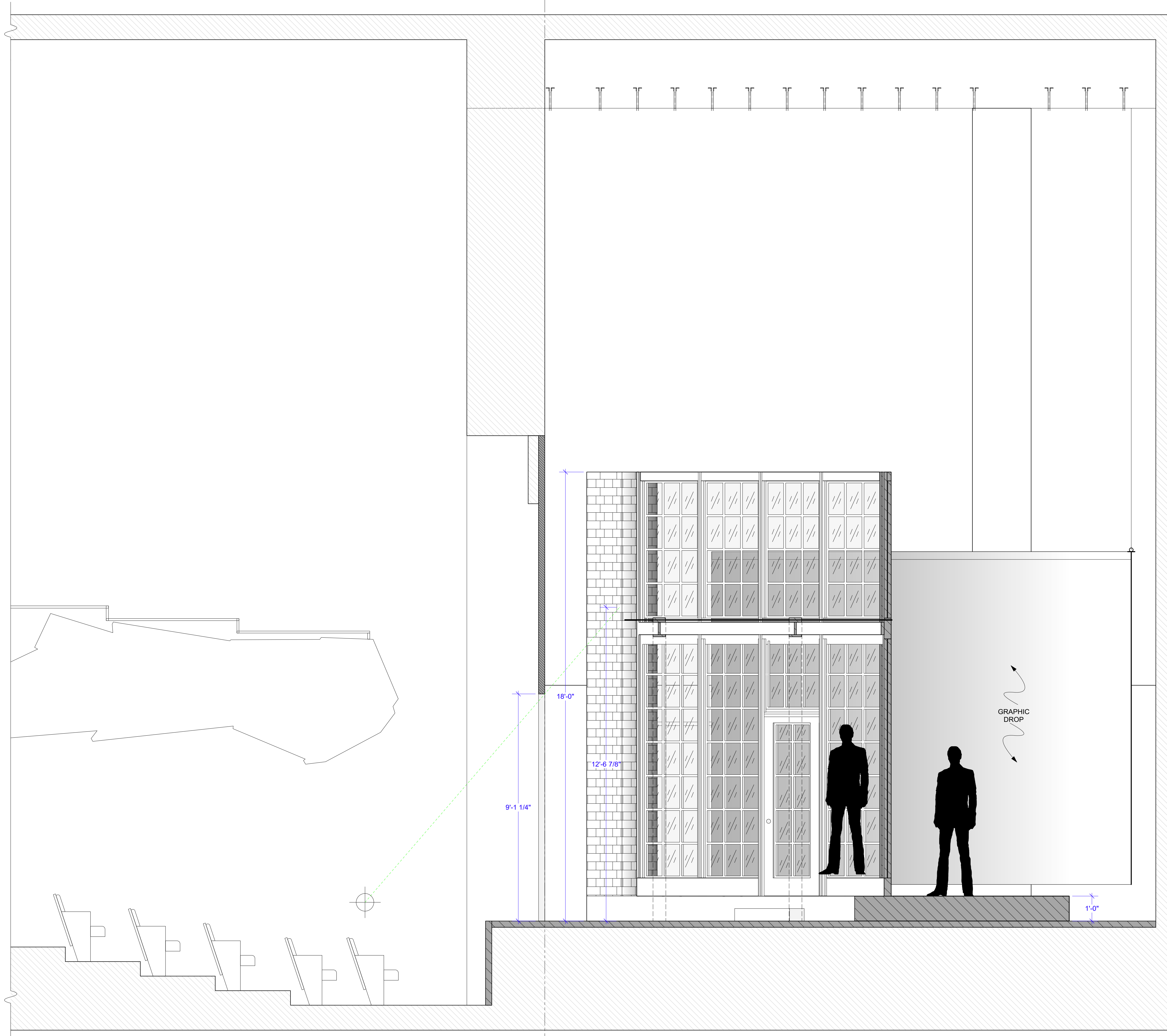
THIS DRAWING REPRESENTS VISUAL CONCEPTS, DESIGN IDEAS AND CONSTRUCTION SUGGESTIONS. THE DESIGNER AND HIS ASSOCIATES ARE ONLY RESPONSIBLE FOR THE VISUAL ASPECTS OF THE PRODUCTION AND ALL SPECIFICATIONS CONTAINED IN THIS DOCUMENT RELATE SOLELY TO THE VISUAL APPEARANCE OF THE LIGHTING DESIGN AND NOT TO THE ELECTRICAL OR STRUCTURAL SOUNDNESS AND/OR SAFETY OF THE DESIGN. THIS DRAWING DOES NOT REPLACE THE KNOWLEDGE AND ADVICE OF A LICENSED STRUCTURAL ENGINEER. THE DESIGNER IS UNQUALIFIED TO DETERMINE THE STRUCTURAL APPROPRIATENESS OF THIS DESIGN AND WILL NOT ASSUME RESPONSIBILITY FOR IMPROPER ENGINEERING, USE OR EXECUTION.

DROWNING
PAPER PROJECT
NYU TISCH SET DESIGN III
DESIGN BY
TERESA L WILLIAMS

VENUE
SIGNATURE THEATER
480 W 42nd St,
New York, NY
10036
ASSIGNMENT DATE
12/11/20

DRAWING TITLE
SL CENTER LINE SECTION
SCALE
AS NOTED
DRAWN BY
TLW
ISSUE DATE
12/11/20
REVISION DATE

1
03 SR CENTERLINE SECTION
Scale: 1/2" = 1'-0"



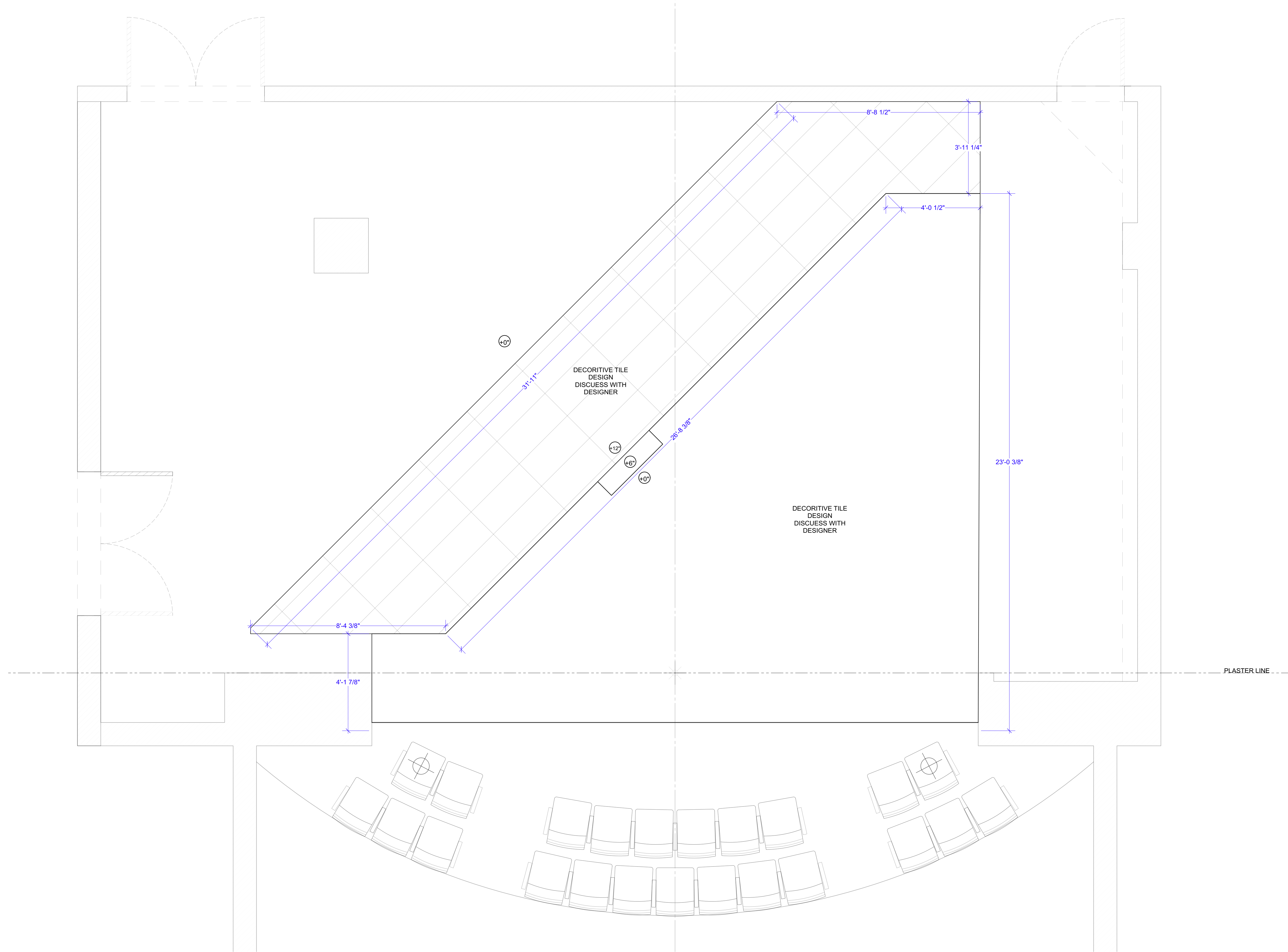
THIS DRAWING REPRESENTS VISUAL CONCEPTS, DESIGN IDEAS AND CONSTRUCTION SUGGESTIONS. THE DESIGNER AND HIS DESIGN ASSOCIATES ARE ONLY RESPONSIBLE FOR THE VISUAL ASPECTS OF THE PRODUCTION AND ALL SPECIFICATIONS CONTAINED IN THIS DOCUMENT RELATE SOLELY TO THE VISUAL APPEARANCE OF THE LIGHTING DESIGN AND NOT TO THE ELECTRICAL OR STRUCTURAL SOUNDNESS AND/OR SAFETY OF THE DESIGN. THIS DRAWING DOES NOT REPLACE THE KNOWLEDGE AND ADVICE OF A LICENSED STRUCTURAL ENGINEER. THE DESIGNER IS UNQUALIFIED TO DETERMINE THE STRUCTURAL APPROPRIATENESS OF THIS DESIGN AND WILL NOT ASSUME RESPONSIBILITY FOR IMPROPER ENGINEERING, USE OR EXECUTION.

DROWNING
PAPER PROJECT
NYU TISCH SET DESIGN III
DESIGN BY
TERESA L WILLIAMS

VENUE
SIGNATURE THEATER
480 W 42nd St,
New York, NY
10036
ASSIGNMENT DATE
12/11/20

DRAWING TITLE
SR CENTER LINE SECTION
SCALE
AS NOTED
DRAWN BY
TLW
ISSUE DATE
12/11/20
REVISION DATE

Page No:
03
OF 06



1 DECK PLAN
04 Scale: 1/2" = 1'-0"

SCALE: 1/2"=1'-0

THIS DRAWING REPRESENTS VISUAL CONCEPTS, DESIGN IDEAS AND CONSTRUCTION SUGGESTIONS. THE DESIGNER AND HIS DESIGN ASSOCIATES ARE ONLY RESPONSIBLE FOR THE VISUAL ASPECTS OF THE PRODUCTION AND ALL SPECIFICATIONS CONTAINED IN THIS DOCUMENT RELATE SOLELY TO THE VISUAL APPEARANCE OF THE LIGHTING DESIGN AND NOT TO THE ELECTRICAL OR STRUCTURAL SOUNDNESS AND/OR SAFETY OF THE DESIGN. THIS DRAWING DOES NOT REPLACE THE KNOWLEDGE AND ADVICE OF A LICENSED STRUCTURAL ENGINEER. THE DESIGNER IS UNQUALIFIED TO DETERMINE THE STRUCTURAL APPROPRIATENESS OF THIS DESIGN AND WILL NOT ASSUME RESPONSIBILITY FOR IMPROPER ENGINEERING, USE OR EXECUTION.

DROWNING

PAPER PROJECT
NYUTISCH SET DESIGN III

DESIGN BY
TERESA L WILLIAMS

VENUE
SIGNATURE THEATER
480 W 42nd St,
New York, NY
10036

ASSIGNMENT DATE
12/11/20

DRAWING TITLE
DECK PLAN

ISSUE DATE
12/11/20

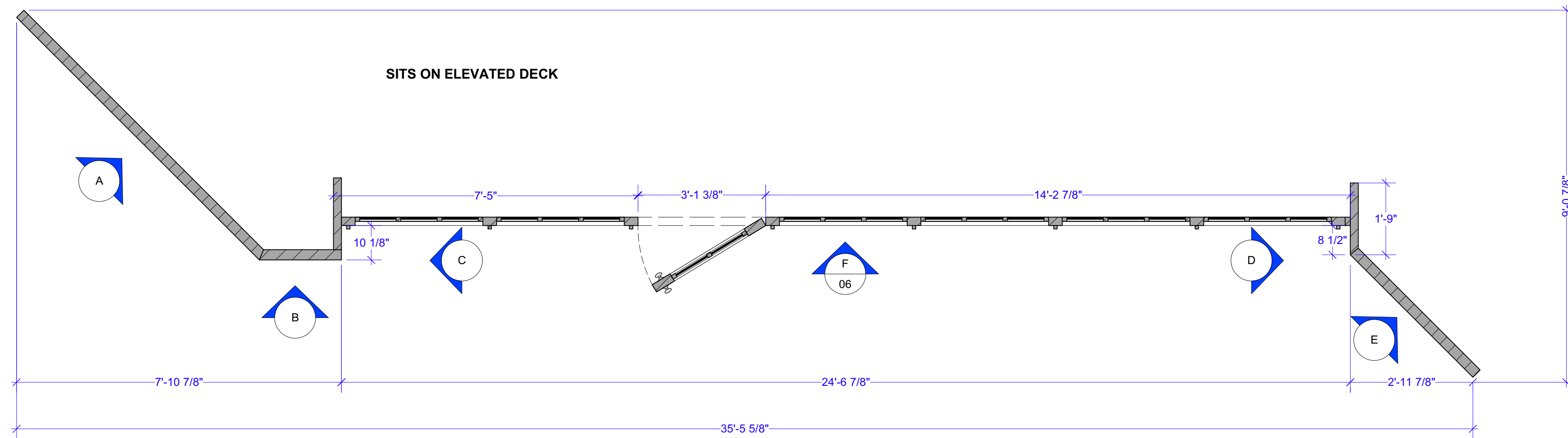
REVISION DATE

SCALE
AS NOTED

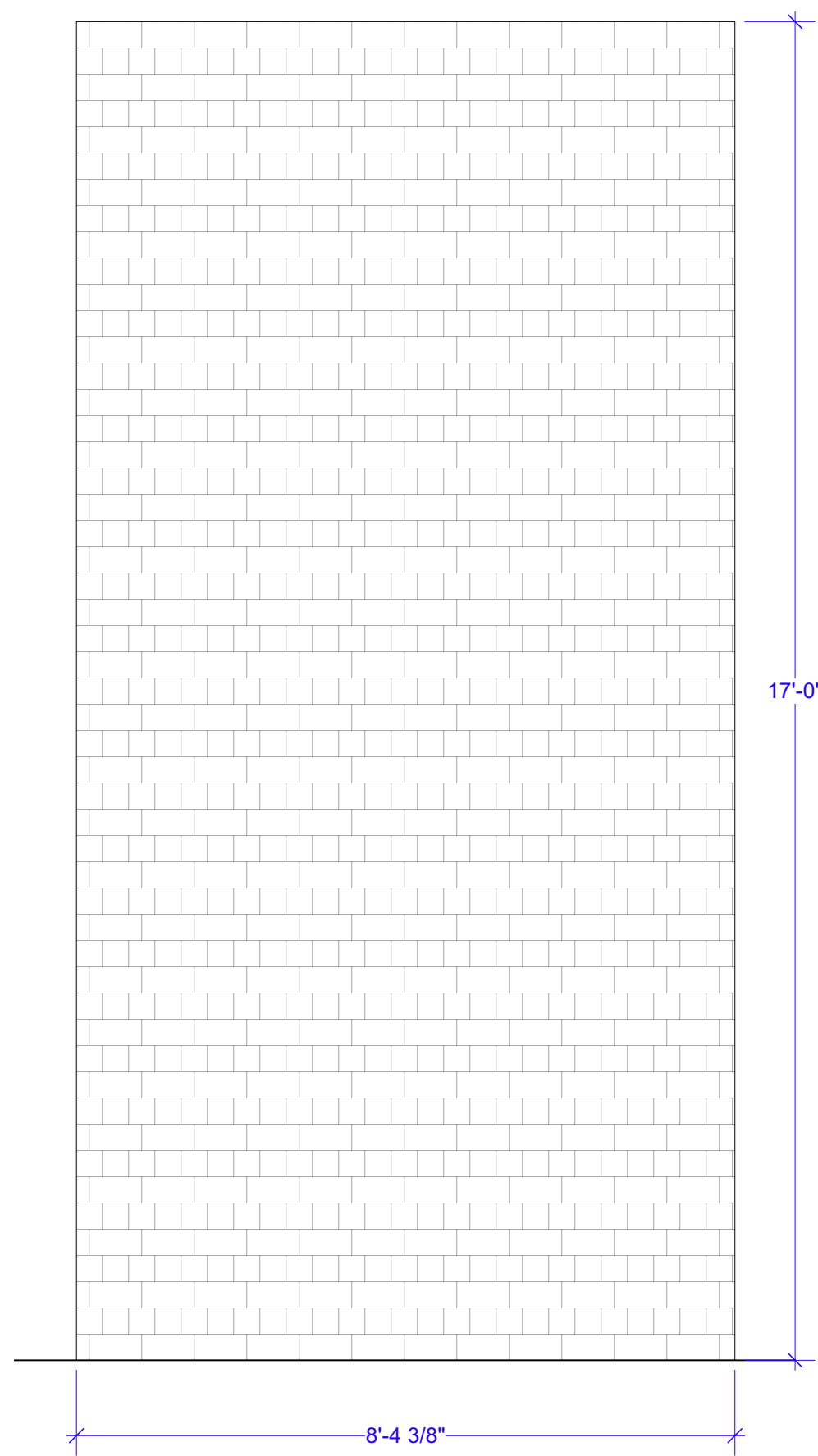
DRAWN BY
TLW

04

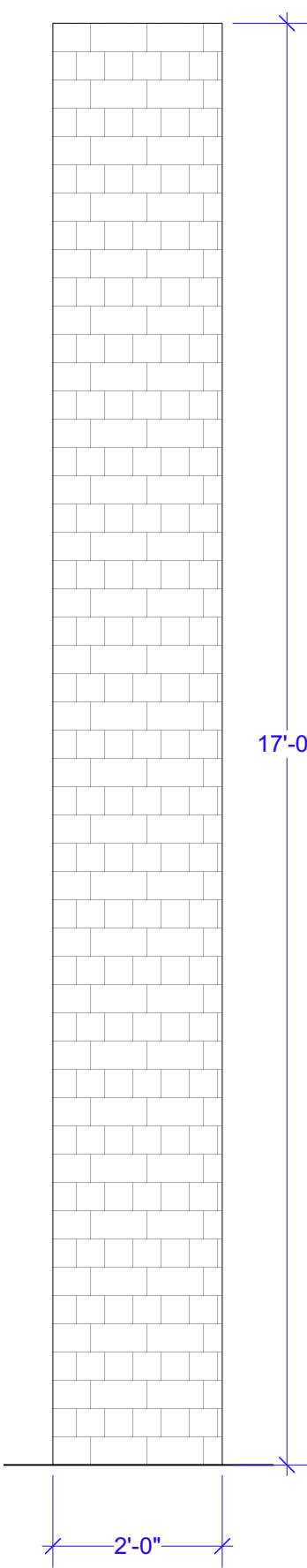
OF 06



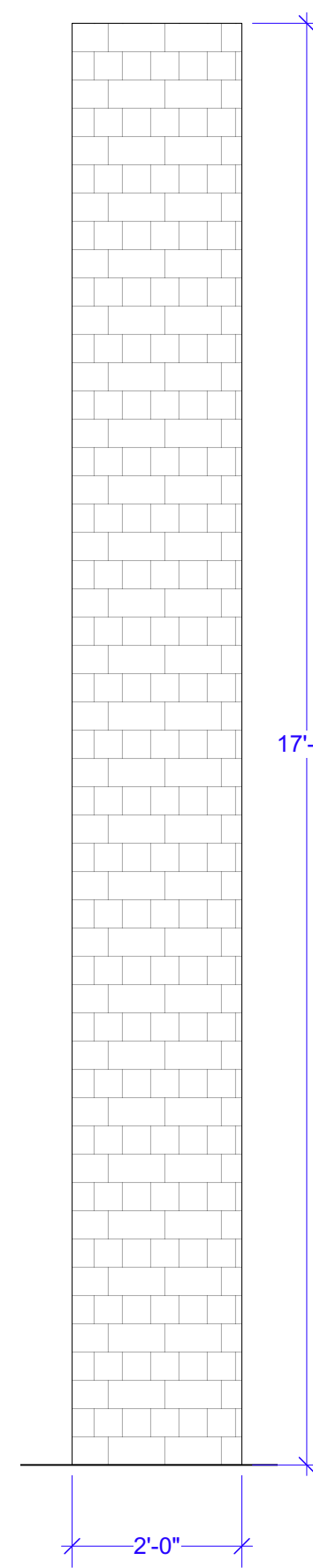
1
05 BUILDING STRUCTURE PLAN
Scale: 1/2" = 1'-0"



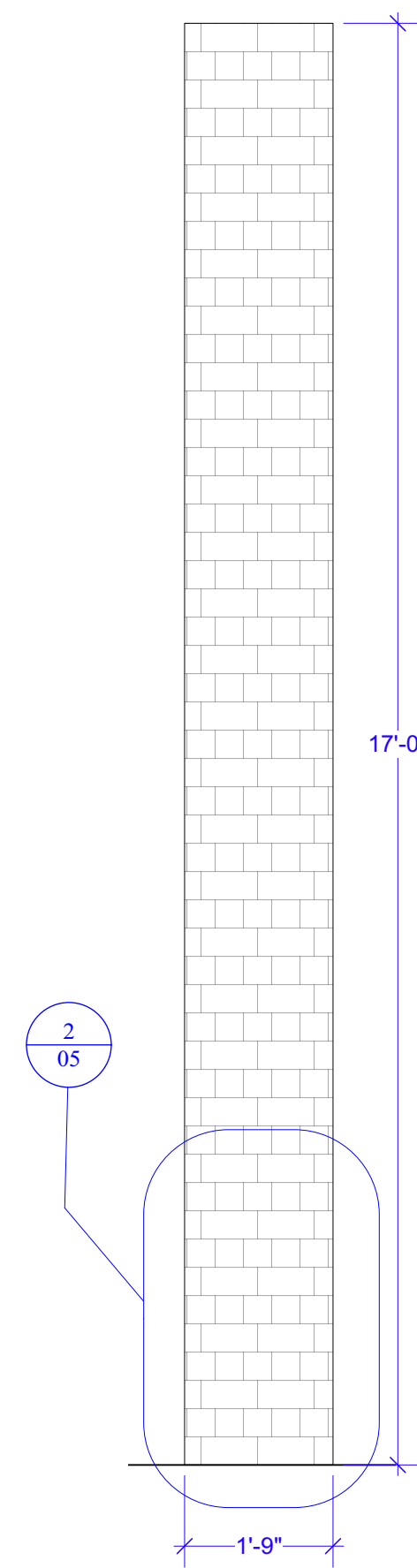
A
05 WALL A
Scale: 1/2" = 1'-0"



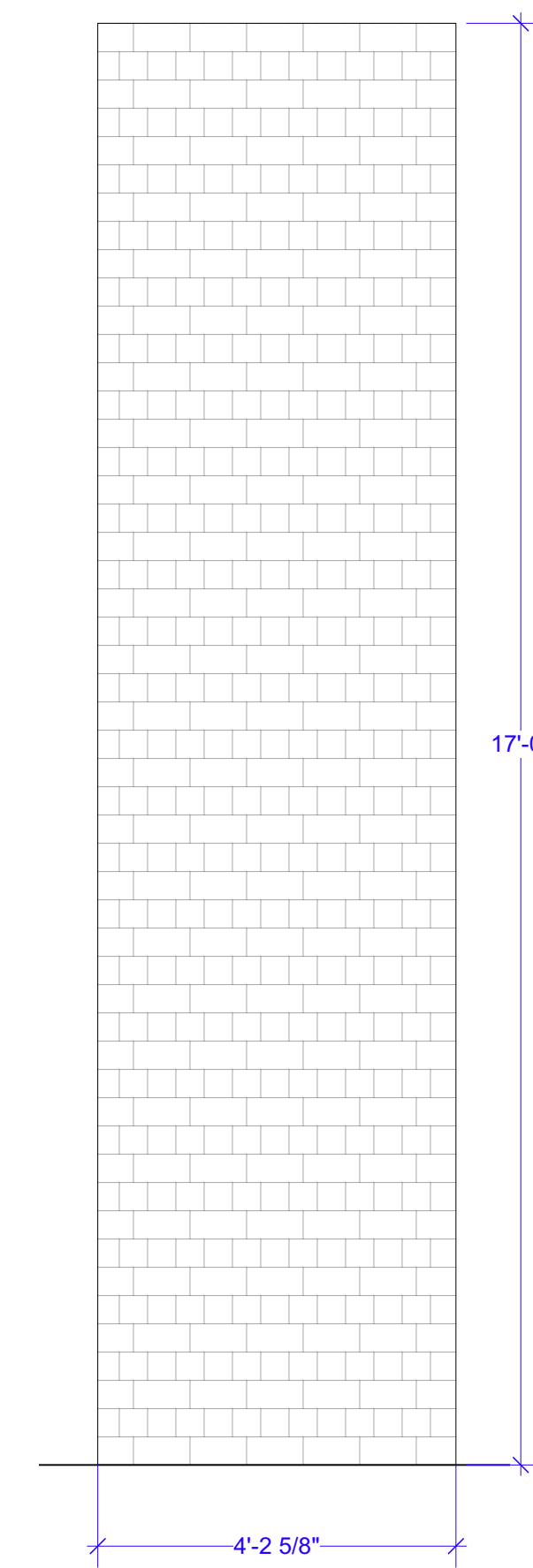
B
05 WALL B
Scale: 1/2" = 1'-0"



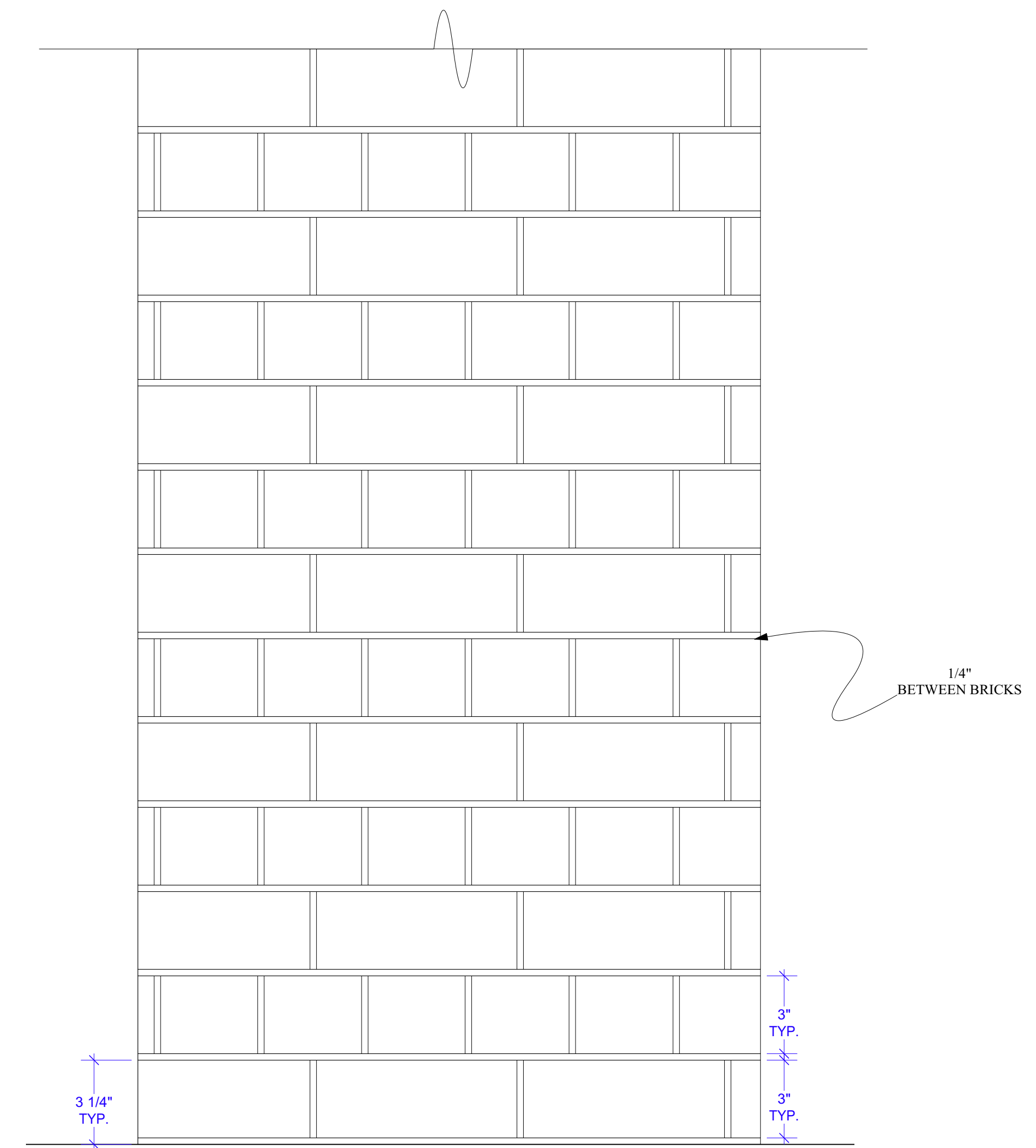
C
05 WALL C
Scale: 1/2" = 1'-0"



D
05 WALL D
Scale: 1/2" = 1'-0"



E
05 WALL E
Scale: 1/2" = 1'-0"



2
05 BRICK WALL DETAIL
Scale: 3" = 1'-0"

THIS DRAWING REPRESENTS VISUAL CONCEPTS, DESIGN IDEAS AND CONSTRUCTION SUGGESTIONS. THE DESIGNER AND HIS DESIGN ASSOCIATES ARE ONLY RESPONSIBLE FOR THE VISUAL ASPECTS OF THE PRODUCTION AND ALL SPECIFICATIONS CONTAINED IN THIS DOCUMENT RELATE SOLELY TO THE VISUAL APPEARANCE OF THE LIGHTING DESIGN AND NOT TO THE ELECTRICAL OR STRUCTURAL SOUNDNESS AND/OR SAFETY OF THE DESIGN. THIS DRAWING DOES NOT REPLACE THE KNOWLEDGE AND ADVICE OF A LICENSED STRUCTURAL ENGINEER. THE DESIGNER IS UNQUALIFIED TO DETERMINE THE STRUCTURAL APPROPRIATENESS OF THIS DESIGN AND WILL NOT ASSUME RESPONSIBILITY FOR IMPROPER ENGINEERING, USE OR EXECUTION.

DROWNING

PAPER PROJECT
NYUTISCH SET DESIGN III
DESIGN BY
TERESA L WILLIAMS

VENUE
SIGNATURE THEATER
480 W 42nd St,
New York, NY
10036

DRAWING TITLE
BUILDING STRUCTURE - BRICK
SCALE
AS NOTED

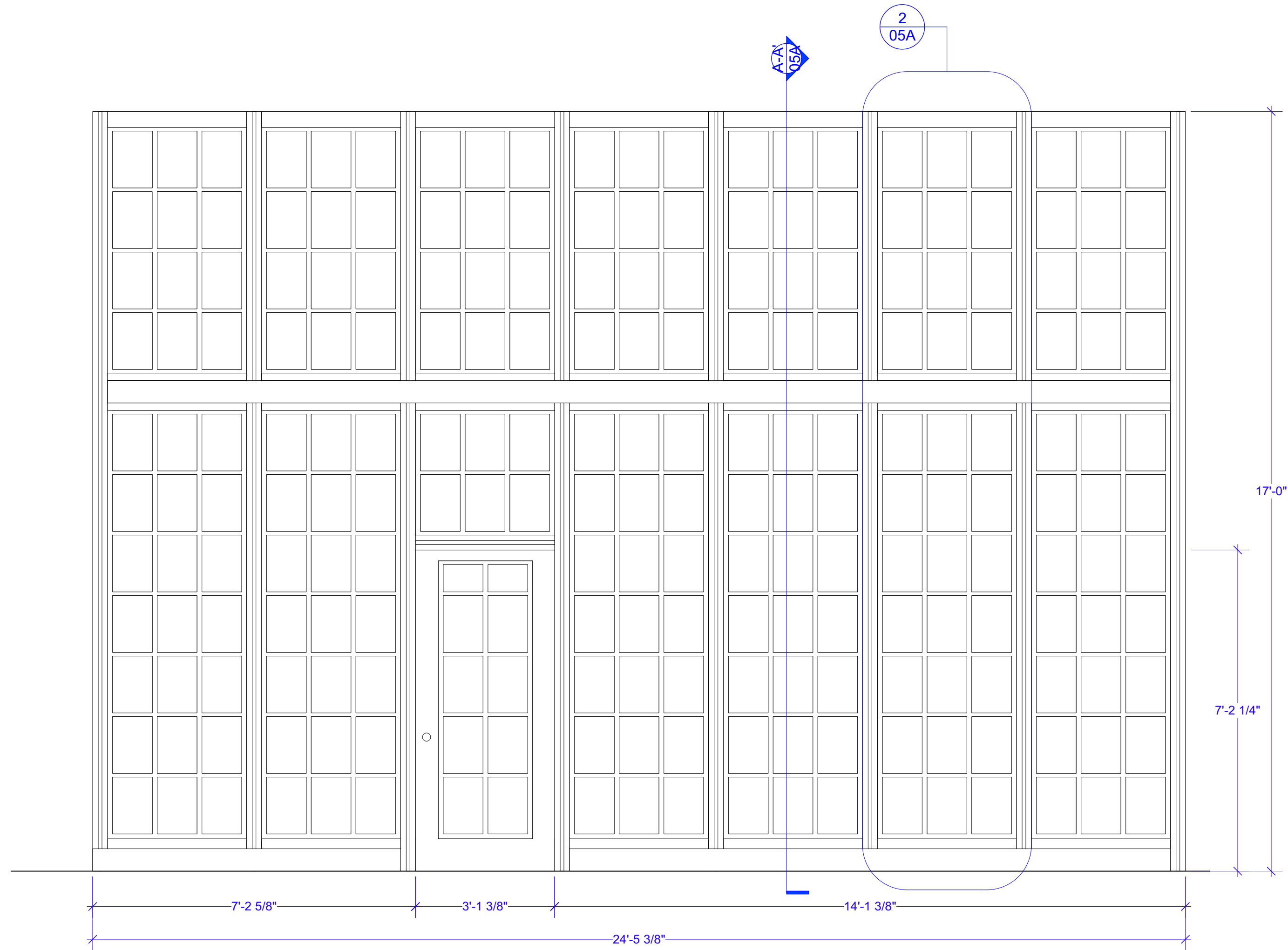
ISSUE DATE
12/11/20
REVISION DATE

ASSIGNMENT DATE
12/11/20

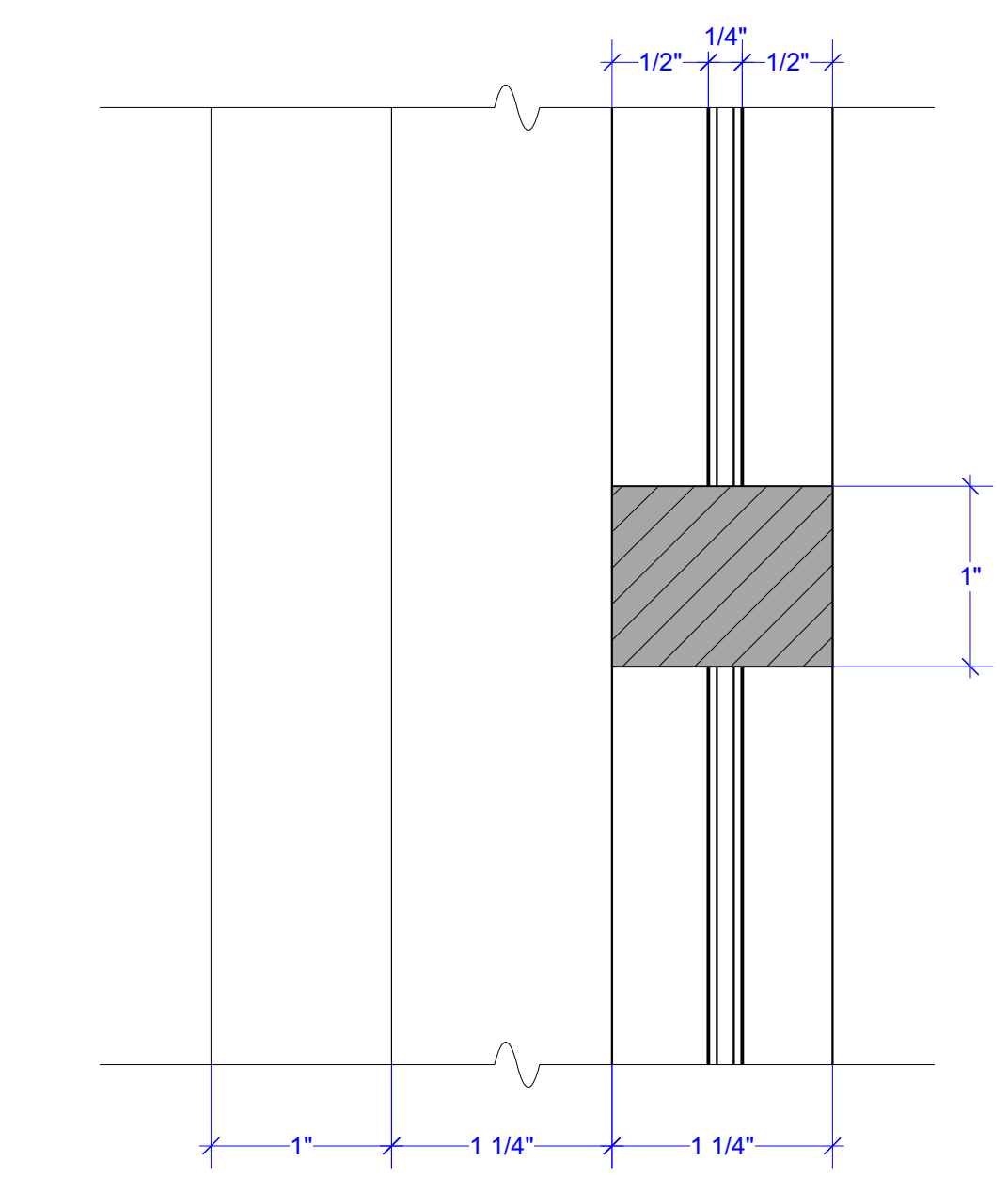
DRAWN BY
TLW

05

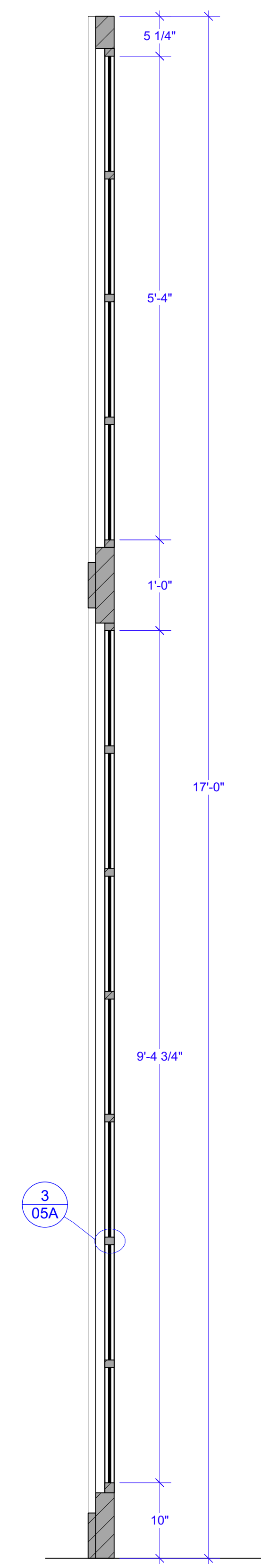
OF 06



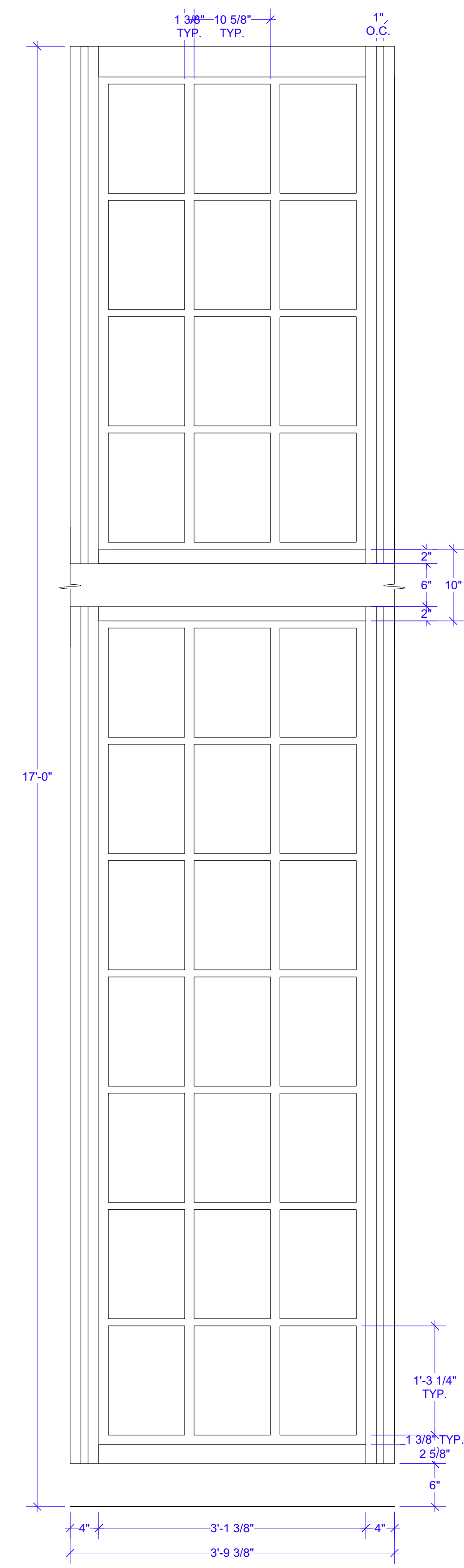
1
05A BUILDING WINDOWS
Scale: 1/2" = 1'-0"



3
05A WINDOW DETAIL
Scale: Actual Size



A-A
05A SECTION A-A'
Scale: 1" = 1'-0"



2
05A WINDOW DETAIL
Scale: 1" = 1'-0"

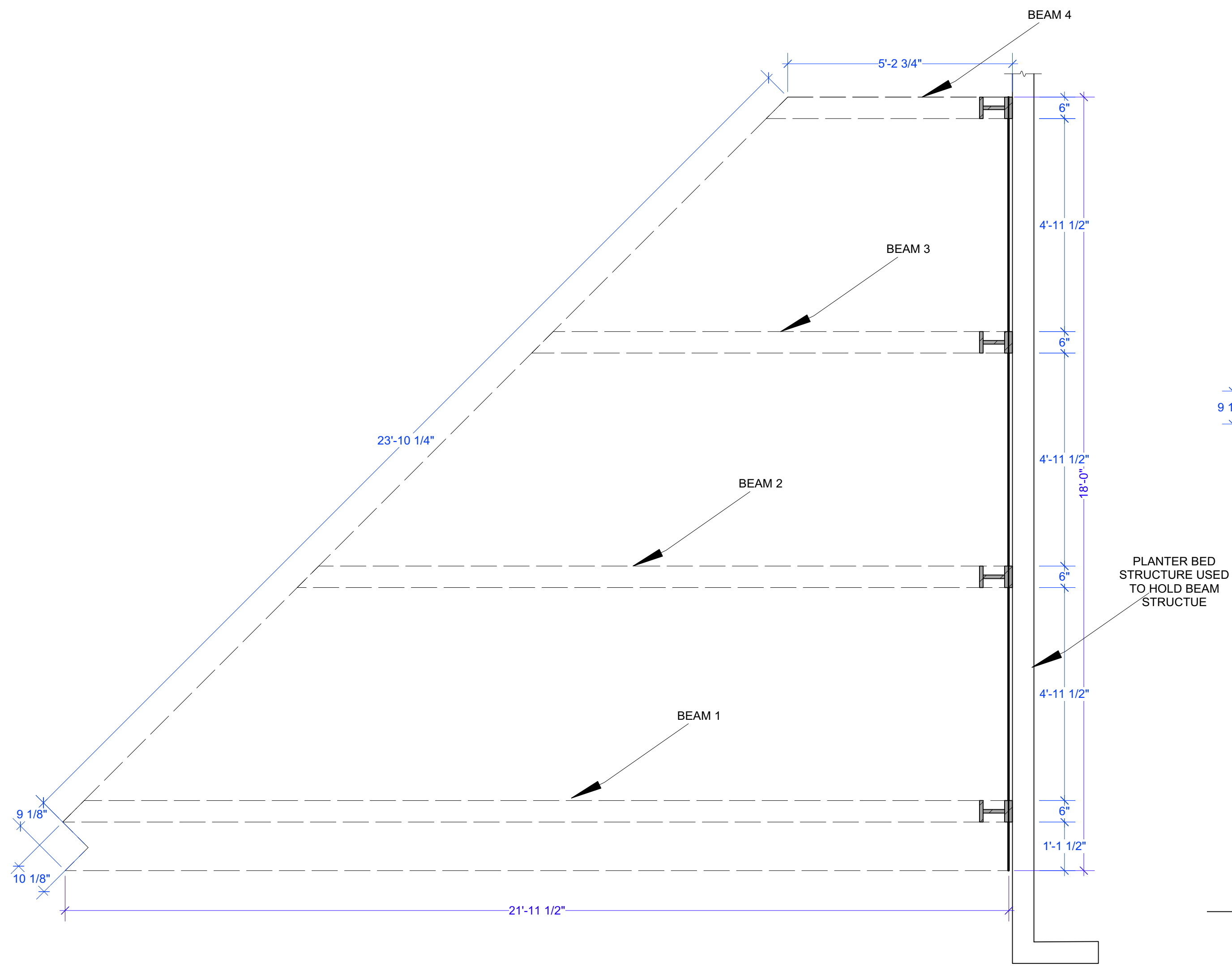
THIS DRAWING REPRESENTS VISUAL CONCEPTS, DESIGN IDEAS AND CONSTRUCTION SUGGESTIONS. THE DESIGNER AND HIS DESIGN ASSOCIATES ARE ONLY RESPONSIBLE FOR THE VISUAL ASPECTS OF THE PRODUCTION AND ALL SPECIFICATIONS CONTAINED IN THIS DOCUMENT RELATE SOLELY TO THE VISUAL APPEARANCE OF THE LIGHTING DESIGN AND NOT TO THE ELECTRICAL OR STRUCTURAL SOUNDNESS AND/OR SAFETY OF THE DESIGN. THIS DRAWING DOES NOT REPLACE THE KNOWLEDGE AND ADVICE OF A LICENSED STRUCTURAL ENGINEER. THE DESIGNER IS UNQUALIFIED TO DETERMINE THE STRUCTURAL APPROPRIATENESS OF THIS DESIGN AND WILL NOT ASSUME RESPONSIBILITY FOR IMPROPER ENGINEERING, USE OR EXECUTION.

DROWNING
PAPER PROJECT
NYUTISCH SET DESIGN III
DESIGN BY
TERESA L WILLIAMS

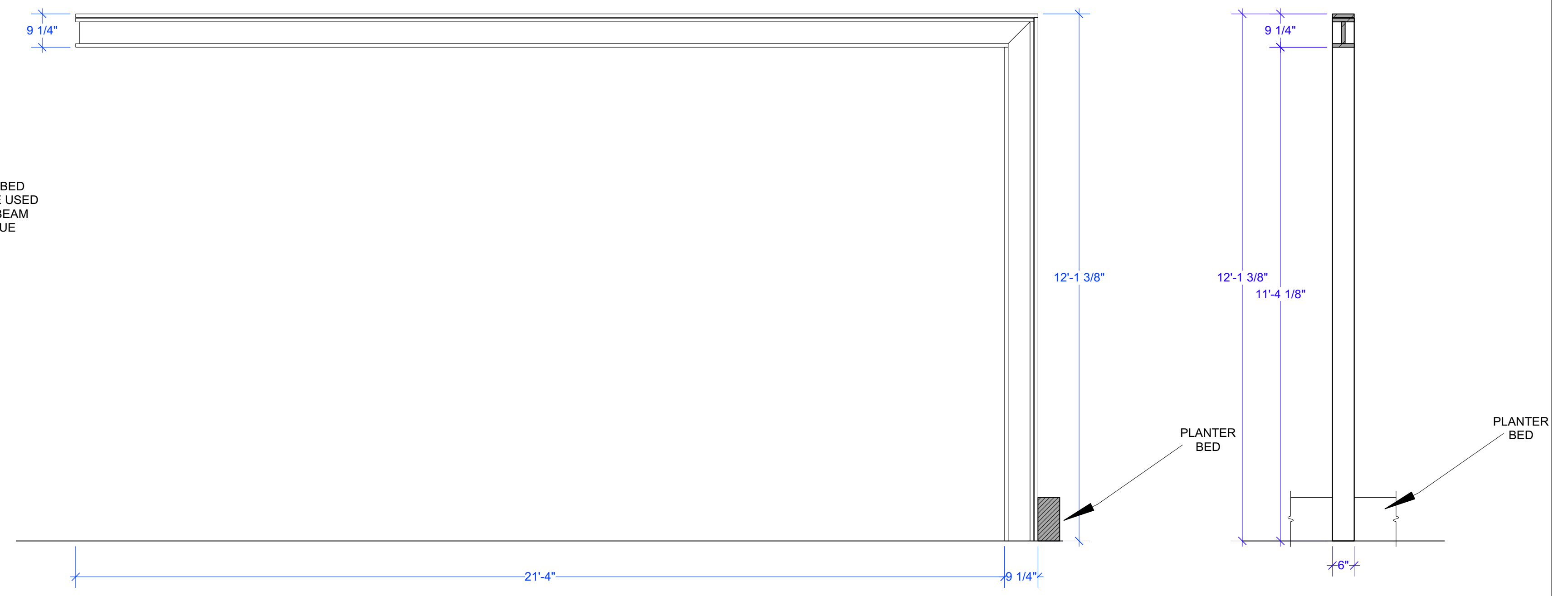
VENUE
SIGNATURE THEATER
480 W 42nd St,
New York, NY
10036
ASSIGNMENT DATE
12/11/20

DRAWING TITLE
BUILDING STRUCTURE - GLASS
SCALE
AS NOTED
ISSUE DATE
12/11/20
REVISION DATE

Page No:
05A
OF 06

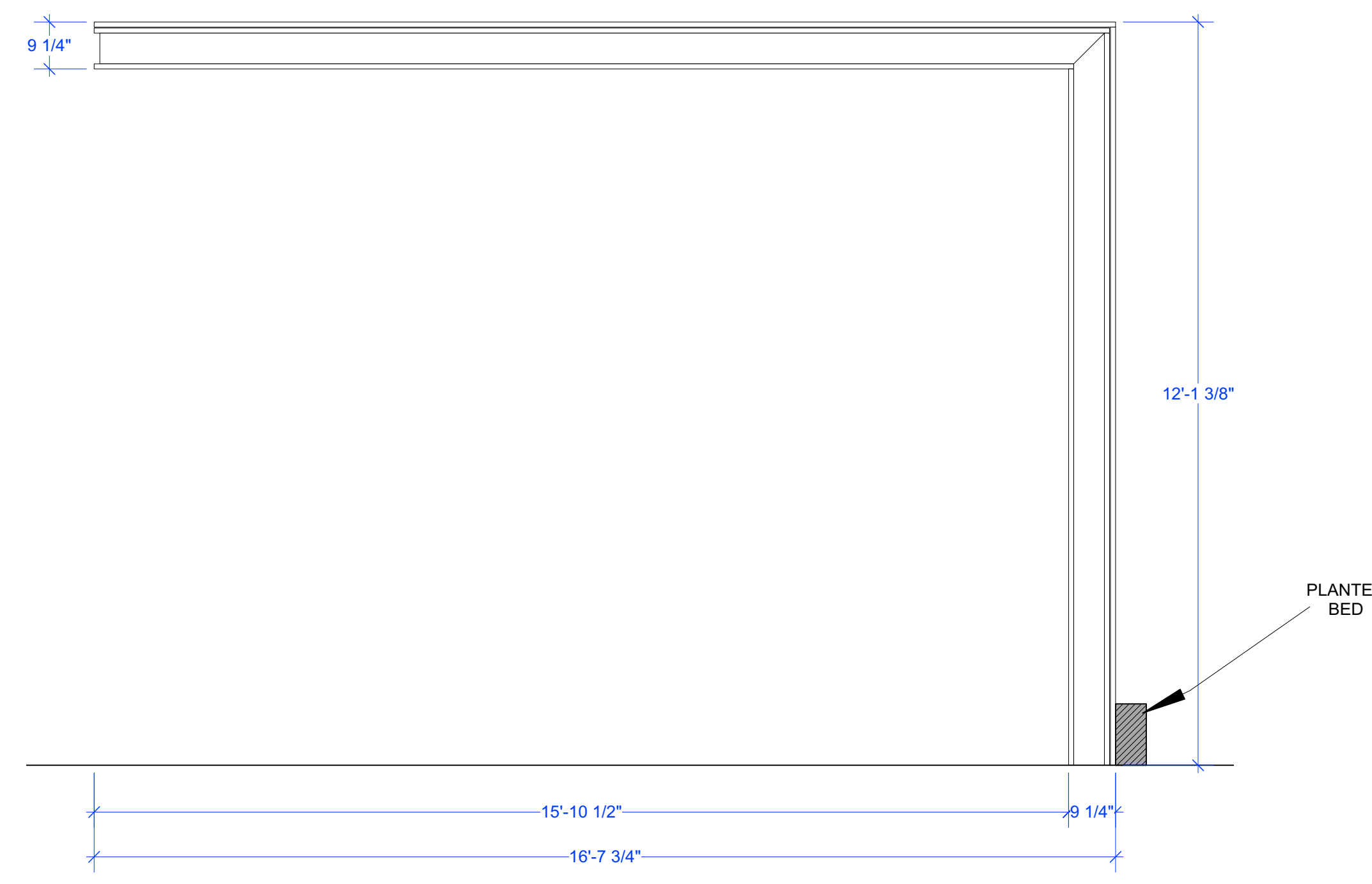


1 GLASS STRUCTURE PLAN
Scale: 1/2" = 1'-0"

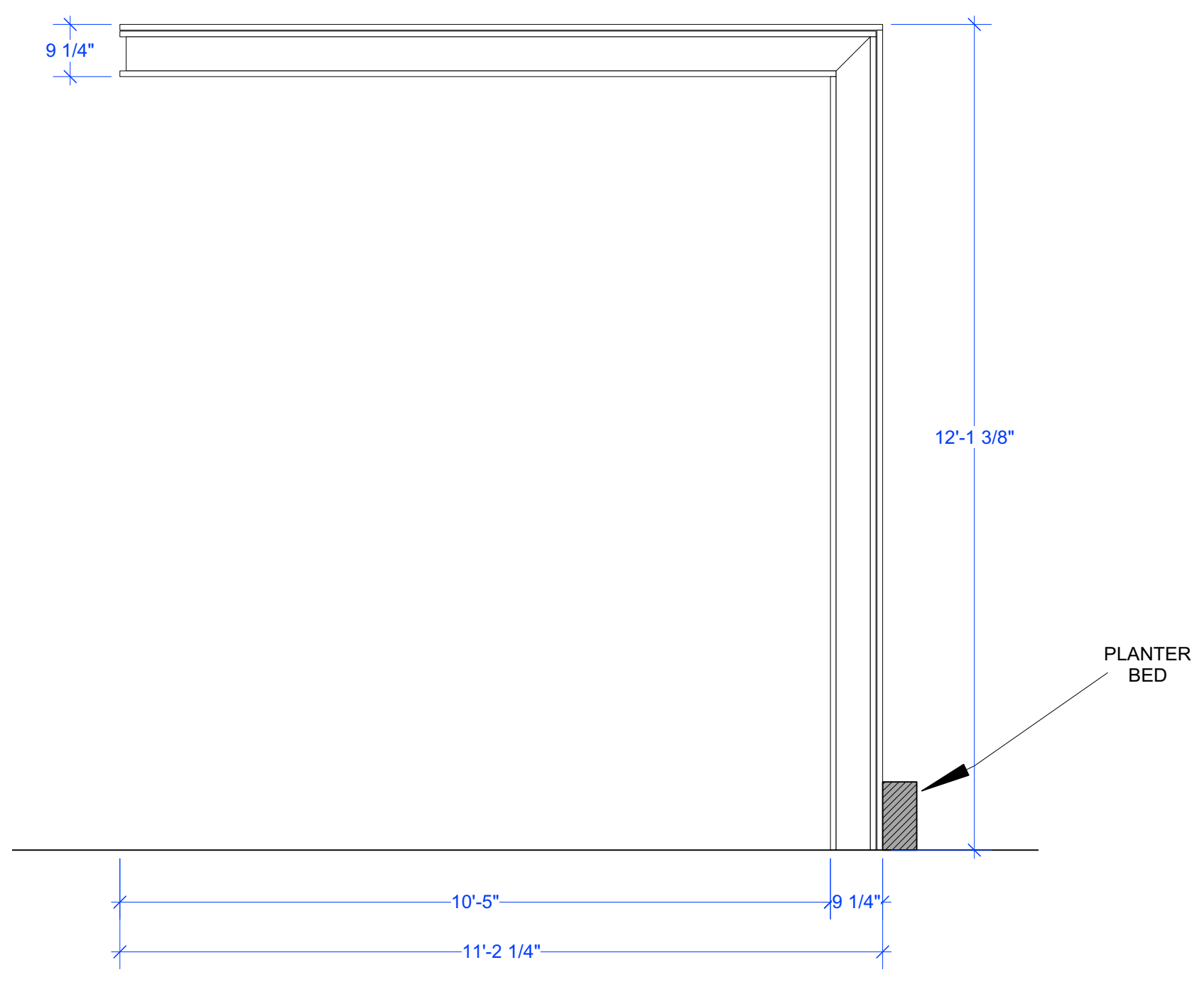


2 BEAM 1
Scale: 1/2" = 1'-0"

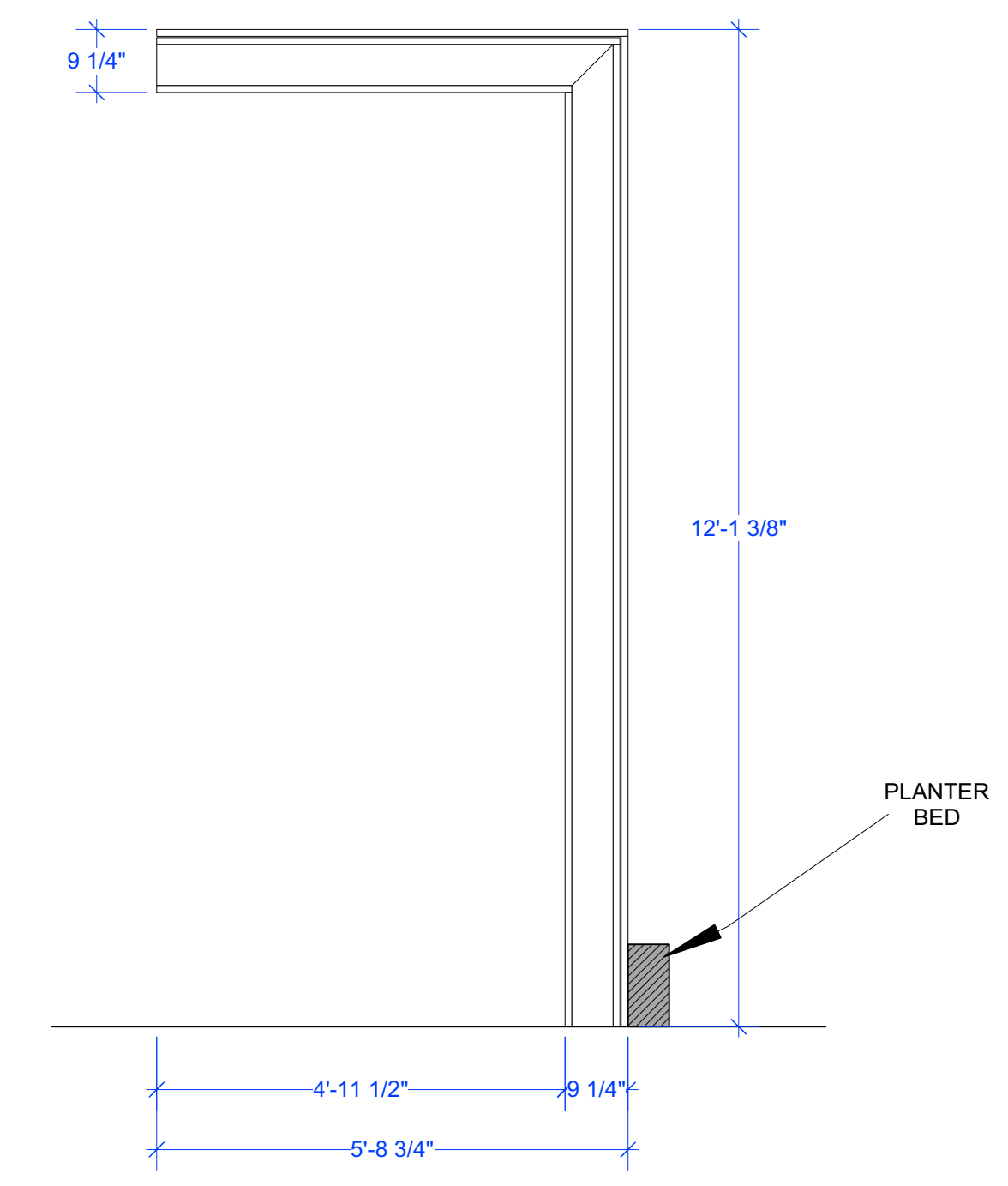
A-A BEAM SECTION
Scale: 1/2" = 1'-0"



3 BEAM 2
Scale: 1/2" = 1'-0"



4 BEAM 3
Scale: 1/2" = 1'-0"



5 BEAM 4
Scale: 1/2" = 1'-0"

SCALE: 1/2"=1'-0

THIS DRAWING REPRESENTS VISUAL CONCEPTS, DESIGN IDEAS AND CONSTRUCTION SUGGESTIONS. THE DESIGNER AND HIS DESIGN ASSOCIATES ARE ONLY RESPONSIBLE FOR THE VISUAL ASPECTS OF THE PRODUCTION AND ALL SPECIFICATIONS CONTAINED IN THIS DOCUMENT RELATE SOLELY TO THE VISUAL APPEARANCE OF THE LIGHTING DESIGN AND NOT TO THE ELECTRICAL OR STRUCTURAL SOUNDNESS AND/OR SAFETY OF THE DESIGN. THIS DRAWING DOES NOT REPLACE THE KNOWLEDGE AND ADVICE OF A LICENSED STRUCTURAL ENGINEER. THE DESIGNER IS UNQUALIFIED TO DETERMINE THE STRUCTURAL APPROPRIATENESS OF THIS DESIGN AND WILL NOT ASSUME RESPONSIBILITY FOR IMPROPER ENGINEERING, USE OR EXECUTION.

DROWNING

PAPER PROJECT
NYUTISCH SET DESIGN III
DESIGN BY
TERESA L WILLIAMS

VENUE
SIGNATURE THEATER
480 W 42nd St,
New York, NY
10036

DRAWING TITLE	ISSUE DATE	REVISION DATE
GLASS STRUCTURE	12/11/20	
SCALE	AS NOTED	
DRAWN BY	TLW	
ASSIGNMENT DATE		12/11/20